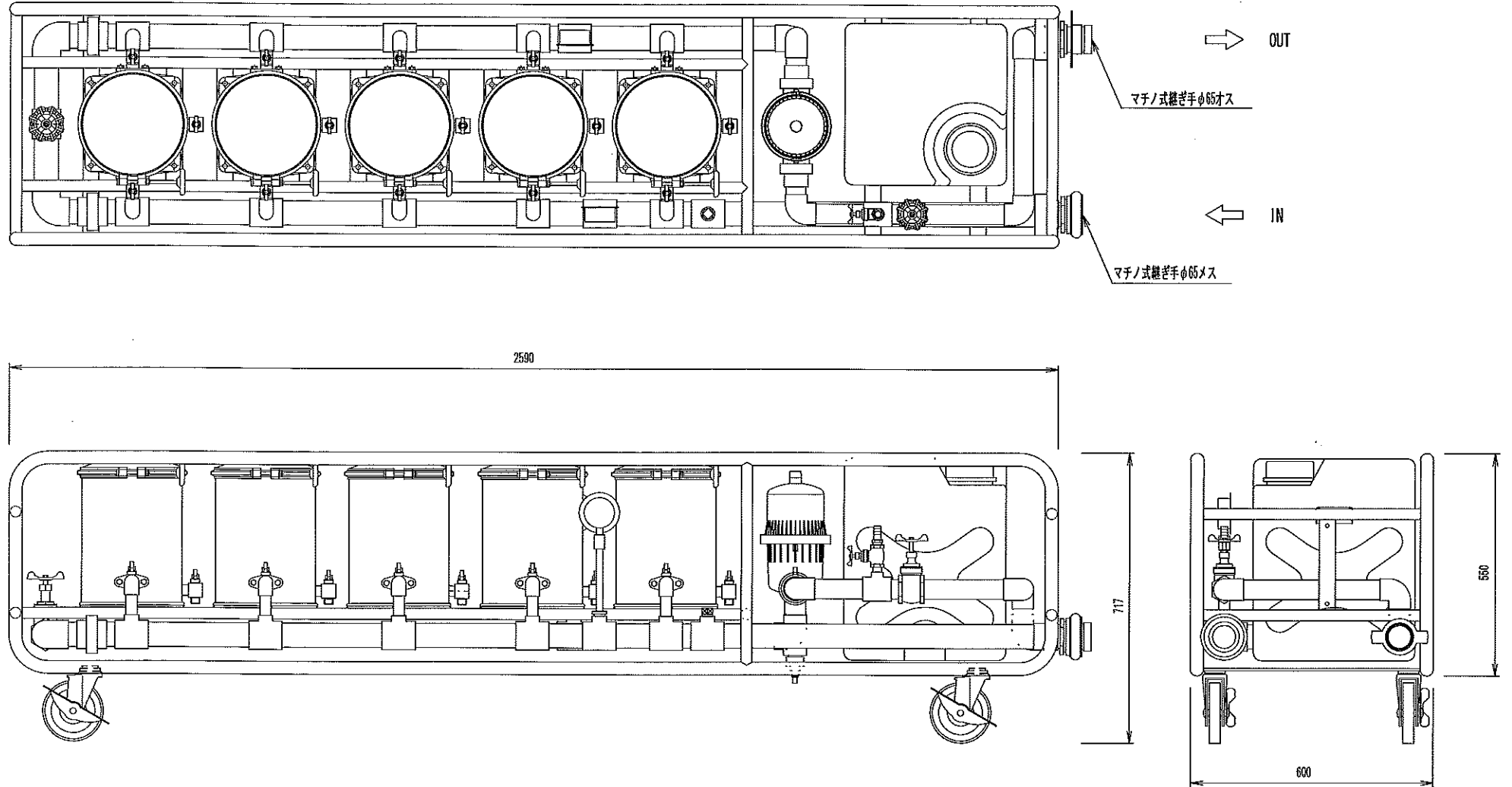


ITEM	NAME, SPECIFICATION
------	---------------------



SCALE	1/10	APPROVED	CHECKED	DESIGNED	DRAWN	DRAWING NO.	DAIGAKU SANGYO CO., LTD.	TITLE
DATE	10.03.09	---	---	---	SOV	DCF-5XS3	723 HOKURAI-CHO, YAMAGUCHI, JAPAN. TEL.(0853)425-0021 1-16-1 TAKAMATSU, SHI-ZUOKA, JAPAN. TEL.(0854)237-6162	DASCO WATER PURIFIER DCF-5XS